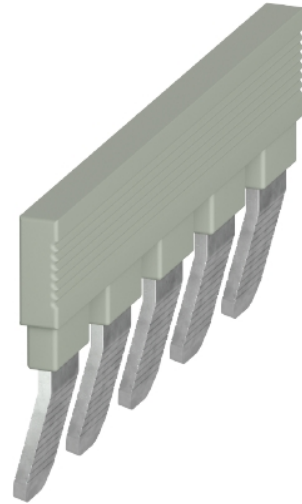


Data sheet

Commercial Art.No.: 0D.S36.3527.0

insert bridge IVB WTN 35-5 IN

insert bridge IVB WTN 35-5 IN modular spacing 16 mm, insulated yes, number of poles 5, color grey, height 34 mm, mounting method screwable, inflammability class of insulation material acc. with ul94 V0



Commercial Art.No.	0D.S36.3527.0
EAN	4049088723988
Order Unit	100

Technical data

general

color	grey
inflammability class of insulation material acc. with UL94	V0
width/grid dimension	76.5 mm
length	4.5 mm
modular spacing	16 mm
number of bridged clamps	5
mounting method	screwable
insulated	yes
model	cross connector
height	34 mm

classification

ETIM 9.0	EC000489
----------	----------

product compliance

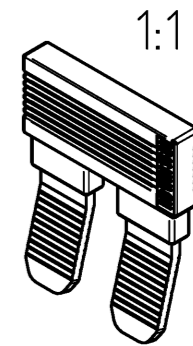
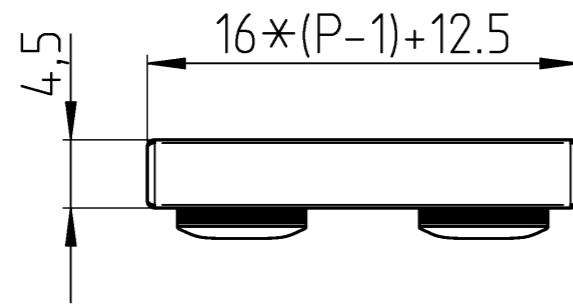
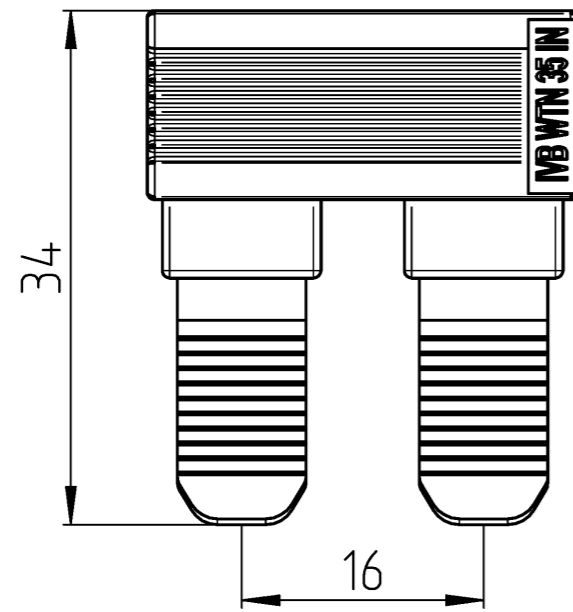
REACH-SVHC conformity status	compliant
------------------------------	-----------

A
 © Alle Rechte vorbehalten
 © All rights reserved
 Vertraulich
 Confidential

B
 These dimensions will be especially checked at delivery
 Only inspection dimensions
 With /E marked dimensions are only valid for internal use

C
 Diese Maße werden bei Abnahme besonders geprüft
 Ausschließlich Prüfmaße
 Mit /E gekennzeichnete Maße sind nur für interne Zwecke gültig

F



Bestell-Nr. /order no.	Polzahl P /number of poles P	Typ /type	Farbe /colour	VPE: packaging unit:
0D.S36.3227.0	2	IVB WTN 35-2 IN	grau / grey	100
0D.S36.3327.0	3	IVB WTN 35-3 IN	grau / grey	
0D.S36.3427.0	4	IVB WTN 35-4 IN	grau / grey	
0D.S36.3527.0	5	IVB WTN 35-5 IN	grau / grey	
0D.S36.3627.0	6	IVB WTN 35-6 IN	grau / grey	
0D.S36.3727.0	7	IVB WTN 35-7 IN	grau / grey	
0D.S36.3827.0	8	IVB WTN 35-8 IN	grau / grey	
0D.S36.3927.0	9	IVB WTN 35-9 IN	grau / grey	
0D.S36.4027.0	10	IVB WTN 35-10 IN	grau / grey	

Weitere Daten siehe KATALOG oder eKatalog
 additional data see CATALOG or eCATALOG
www.wieland-electric.com
eshop.wieland-electric.com

Tolerierung Size ISO 14405 © / Tolerance system Size ISO 14405 ©. (This ISO-standard describes the envelope principle. According to the envelope principle the deviations of form and parallelism are limited by the size tolerances).		ja/yes <input checked="" type="checkbox"/> Stoffverbots- und Deklarationsliste nach WN 5020.010 ist einzuhalten. Conformity with Wieland document WN 5020.010 e (list of prohibited / declarable hazardous substances) to be declared!	
Freitoleranz nach General tolerance		CAD - Zeichnung, keine manuellen Änderungen CAD - drawing, no manual modifications allowed	
1. Verwendung: First Use:		Blatt: Sheet:	
1 von of		1	
Werkstoff / Material		Tag/Date	
Name		Name	
gezeichnet drawn		29.10.2025	
Eichhorn N.		Eichhorn N.	
Maßstab / Scale		2:1	
Elektronische Freigabe Electronic Release		T 0D.S36.3227.0 13K a	
Maße in mm / Dimensions are in mm			
Vol. mm³ / Of. / Srf. mm²		Ersatz für / Replacement for:	
Type		Benennung/Title	
a 19.11.2025 / Index Datum / Blatt Date / Sheet		wieland	
Änderung / Revision		EINLEGEBRUECKE connection plug	